

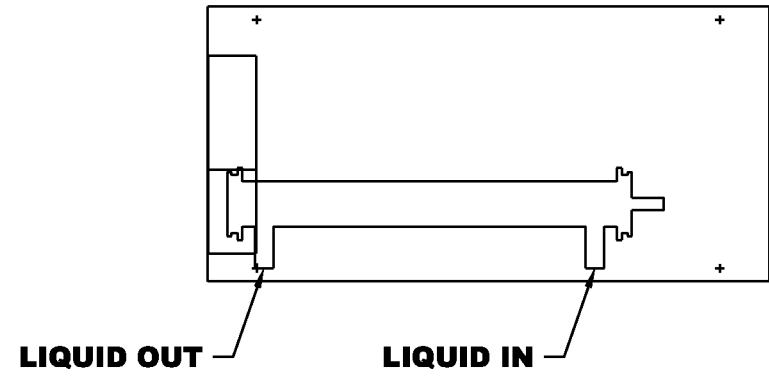
## Model YCAL Air-Cooled Scroll Chiller Layout Drawings



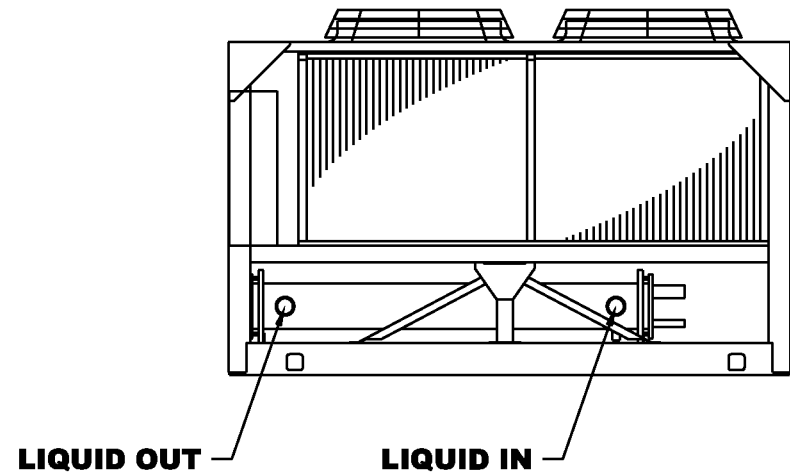
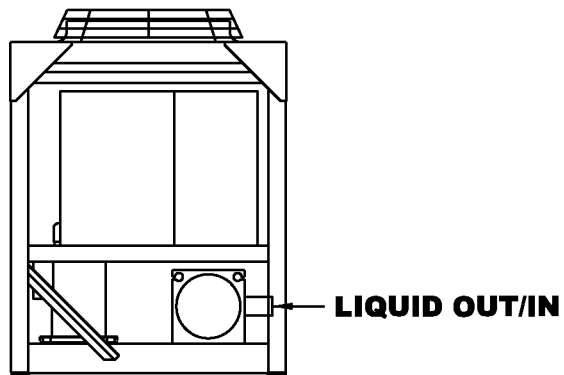
- 14-20 TR
- 24-34 TR
- 40-60 TR
- 64-80 TR
- 90-94 TR
- 104 TR
- 114-134 TR

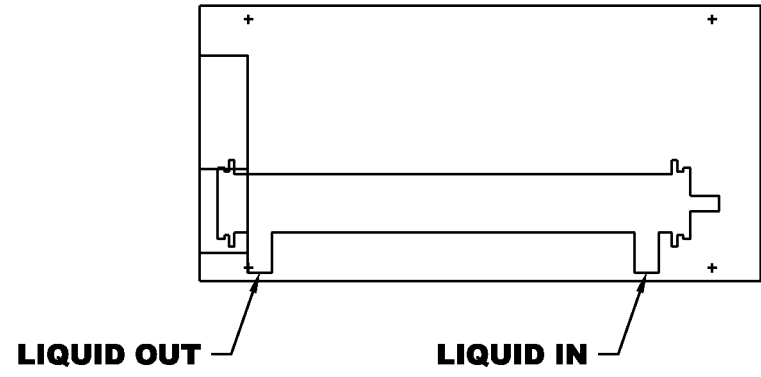
These drawings, whether used itself or in combination with other software, are only meant to aid HVAC system design and equipment selection. They are not a substitute for professional design services or advice. It is the user's responsibility to review the product data derived from these drawings and determine if they meet the requirements of the application. YORK accepts no responsibility or liability for the accuracy, desirability or suitability of the HVAC system, nor for any other system designed or installed with the help of these drawings. YORK makes no further warranty, in law or in fact, in contract or in tort, expressed or implied, with respect to these drawings. YORK specifically disclaims all implied warranties including, but not limited to, merchantability and fitness for a particular purpose. In no event shall YORK be liable for any incidental or consequential damages.

If you agree with these terms and would like to download the file(s), click on the appropriate tonnage range to display the drawing (in Adobe Acrobat format). Once displayed, you can then choose to download the same drawing in AutoCAD format.

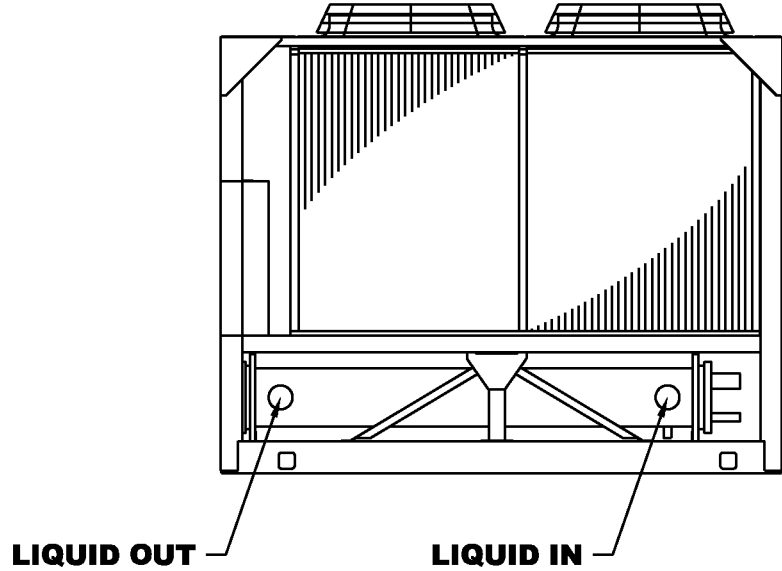
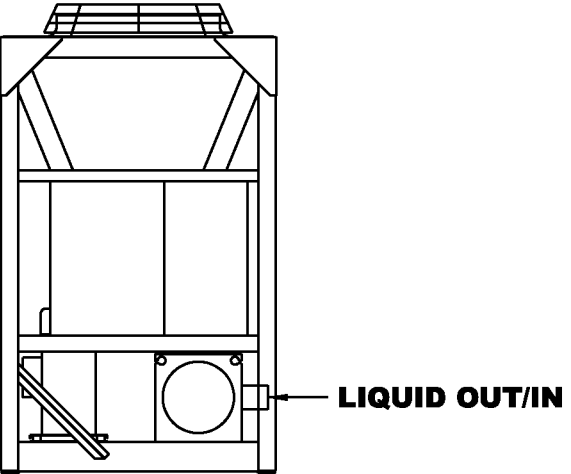


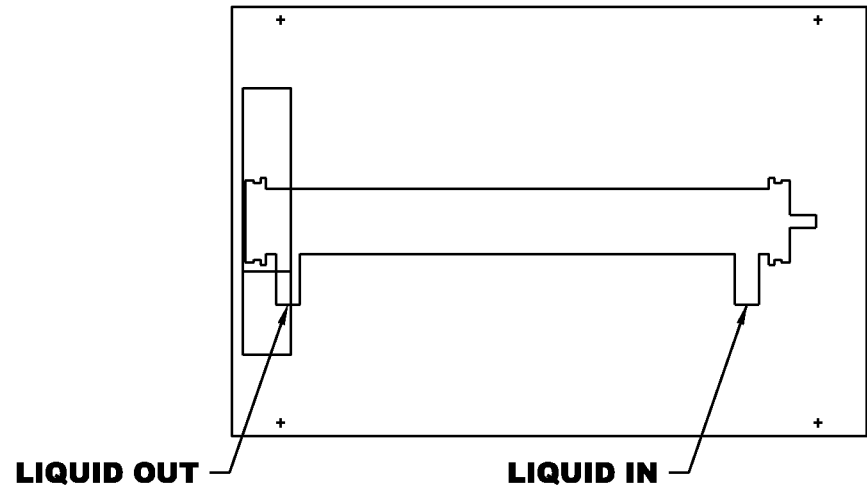
## **AIR-COOLED SCROLL LIQUID CHILLER: 14-20 TR**



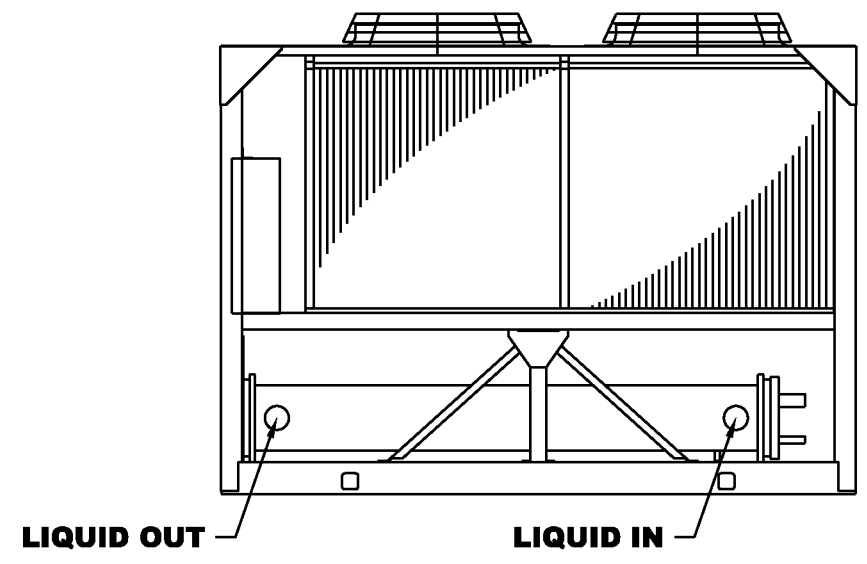
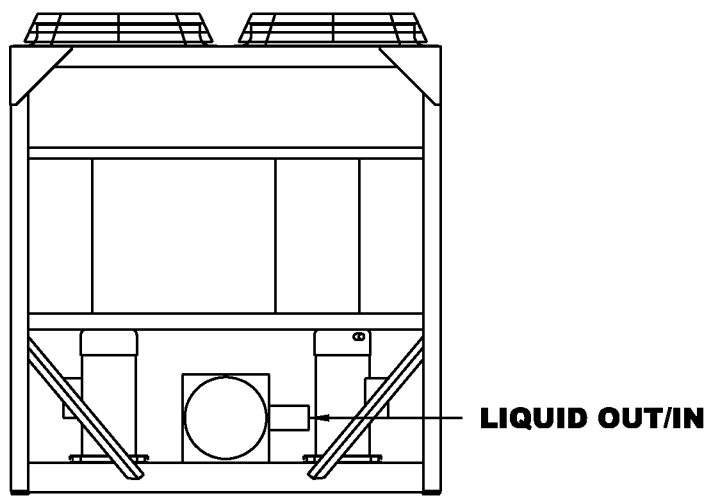


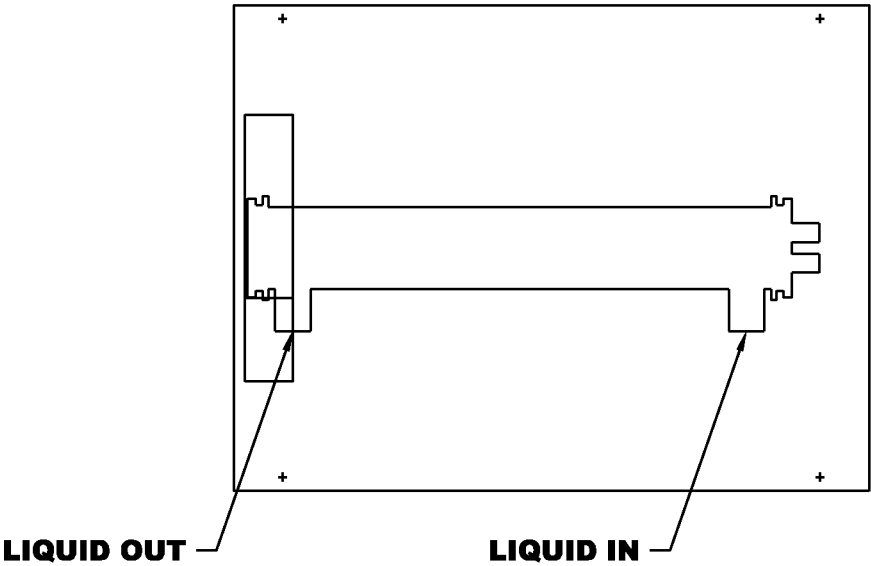
# AIR-COOLED SCROLL LIQUID CHILLER: 24-34 TR



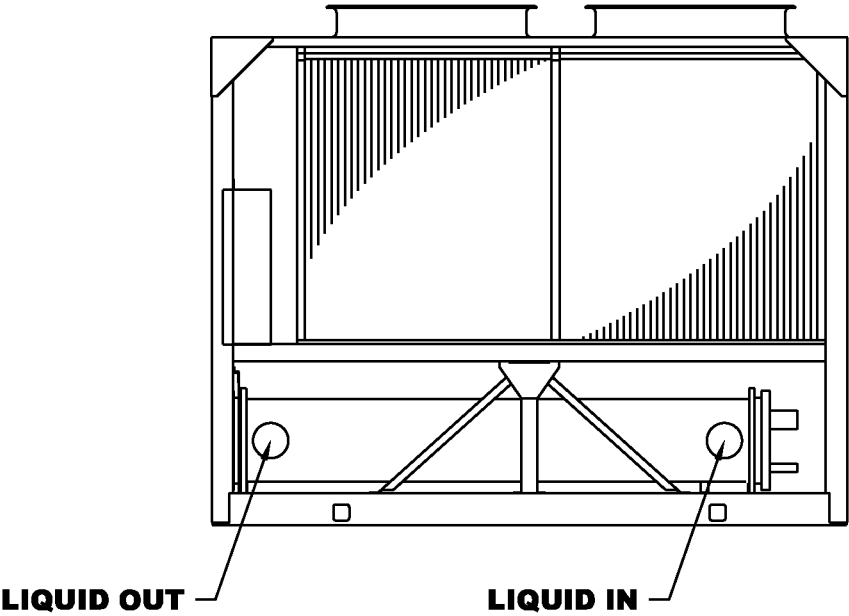
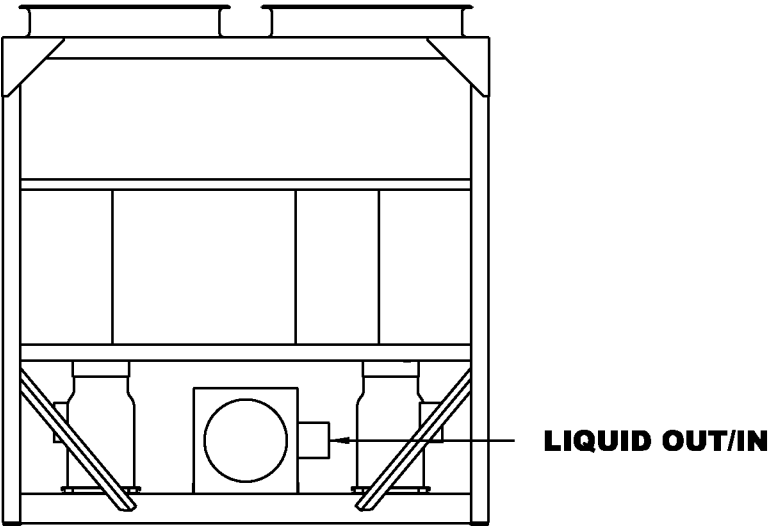


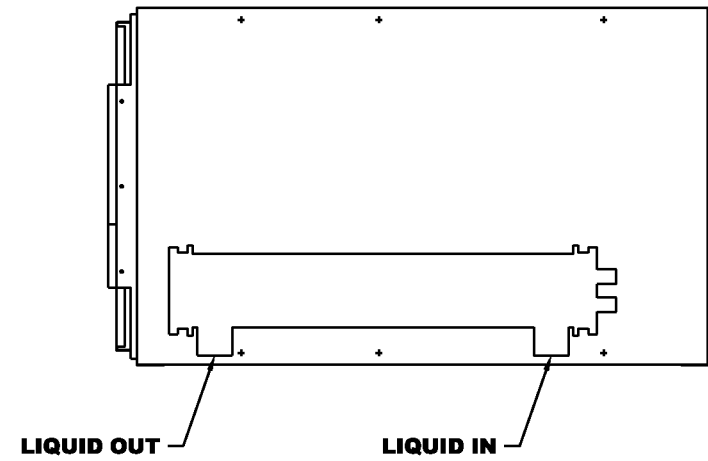
## AIR-COOLED SCROLL LIQUID CHILLER: 40-60 TR



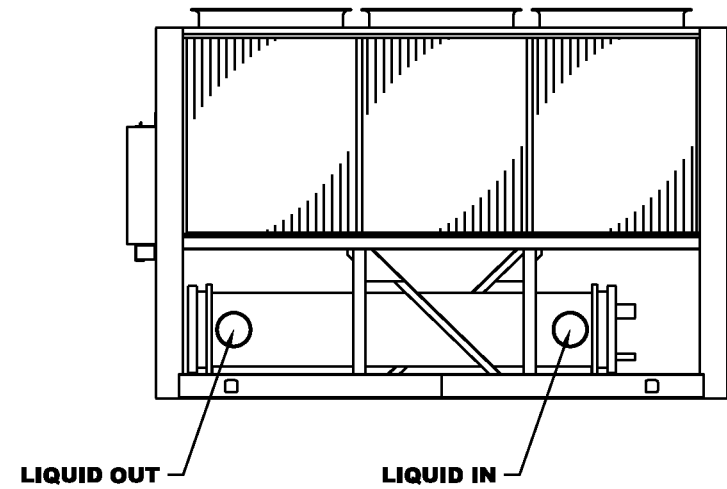
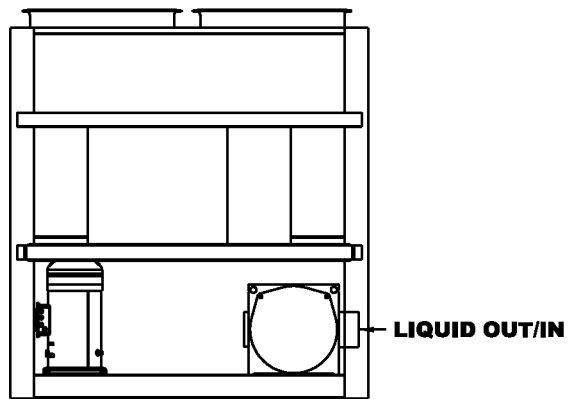


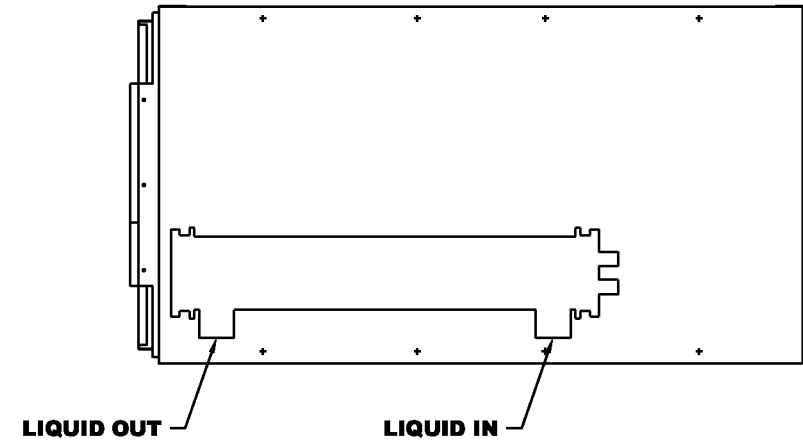
**AIR-COOLED SCROLL LIQUID CHILLER: 64-80 TR**



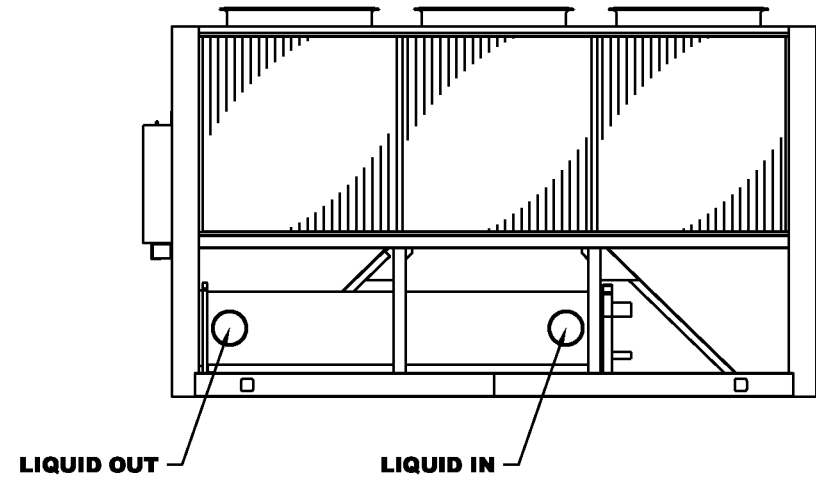
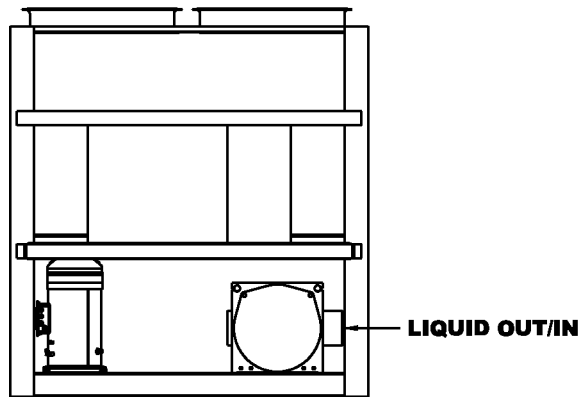


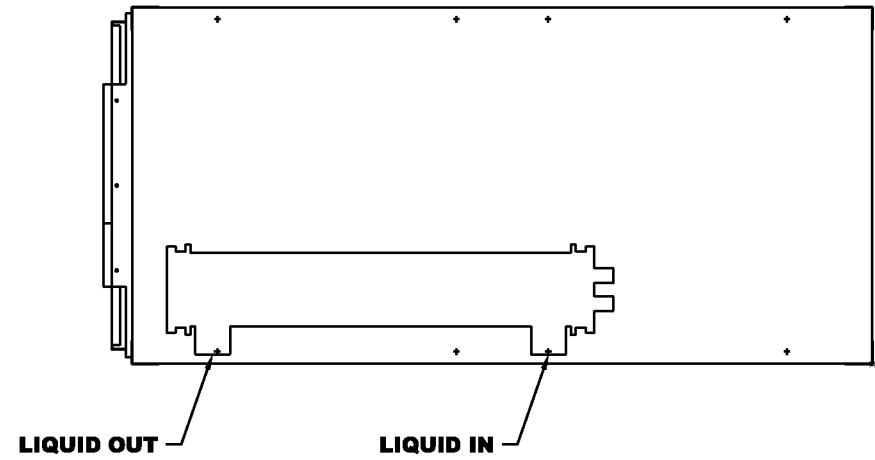
## **AIR-COOLED SCROLL LIQUID CHILLER: 90-94 TR**





## AIR-COOLED SCROLL LIQUID CHILLER: 104 TR





## AIR-COOLED SCROLL LIQUID CHILLER: 114-134 TR

