

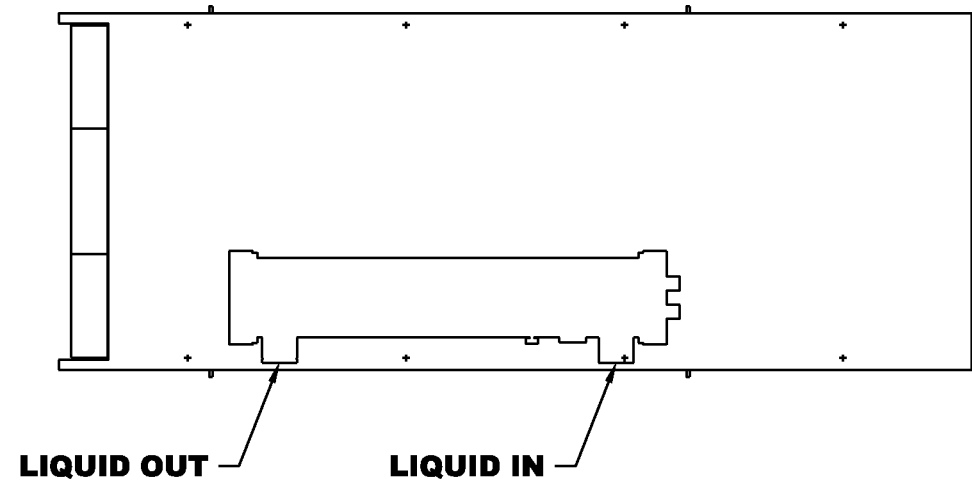
Model YCAS Air-cooled Screw Chiller Layout Drawings



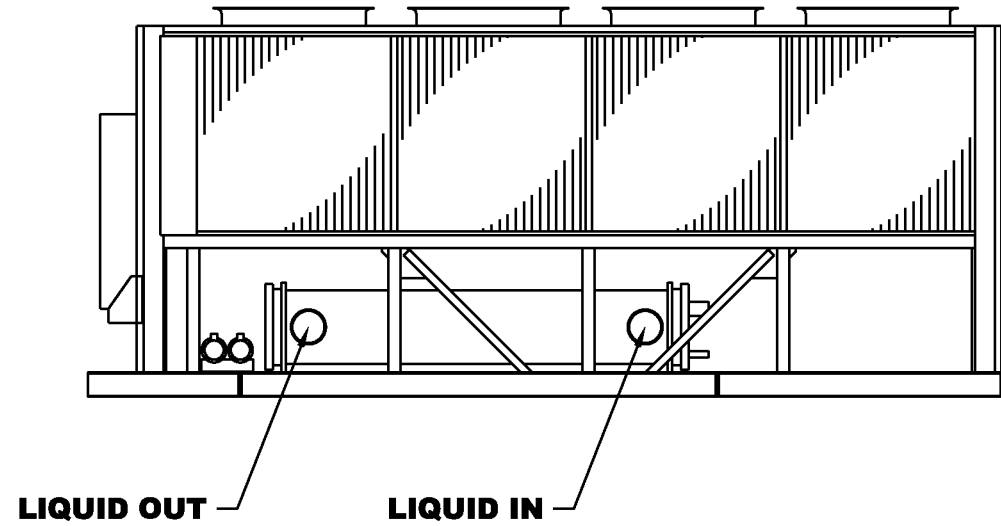
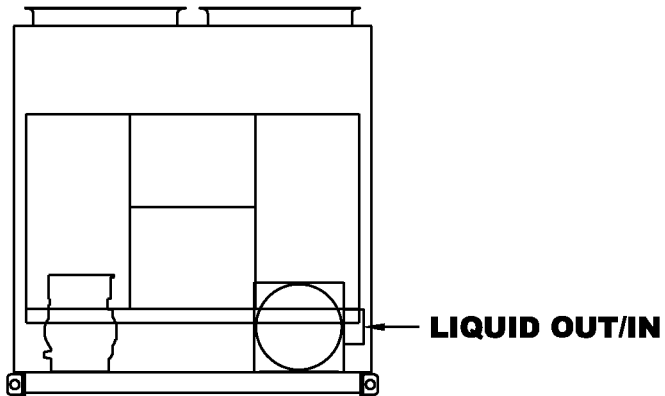
- 130-140 TR
- 150-180 TR
- 200-230 TR
- 250-270 TR
- 300-330 TR
- 360 TR
- 400-440 TR

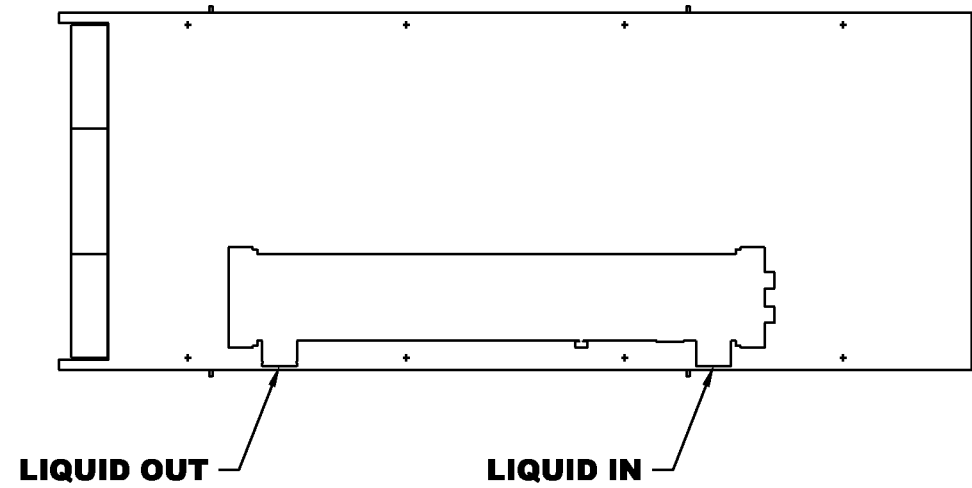
These drawings, whether used itself or in combination with other software, are only meant to aid HVAC system design and equipment selection. They are not a substitute for professional design services or advice. It is the user's responsibility to review the product data derived from these drawings and determine if they meet the requirements of the application. YORK accepts no responsibility or liability for the accuracy, desirability or suitability of the HVAC system, nor for any other system designed or installed with the help of these drawings. YORK makes no further warranty, in law or in fact, in contract or in tort, expressed or implied, with respect to these drawings. YORK specifically disclaims all implied warranties including, but not limited to, merchantability and fitness for a particular purpose. In no event shall YORK be liable for any incidental or consequential damages.

If you agree with these terms and would like to download the file(s), click on the appropriate tonnage range to display the drawing (in Adobe Acrobat format). Once displayed, you can then choose to download the same drawing in AutoCAD format.

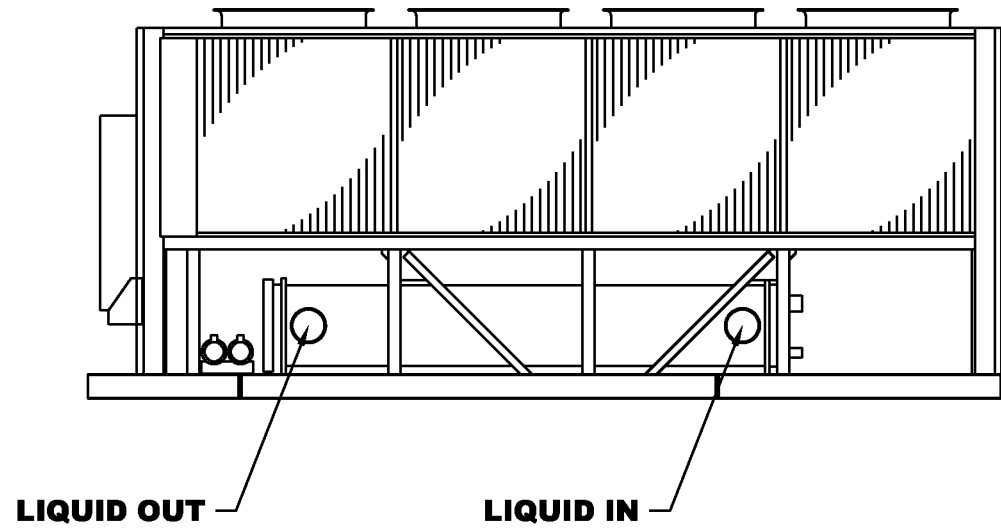
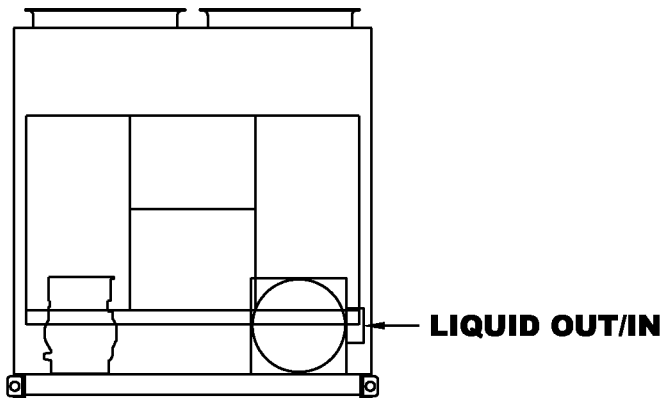


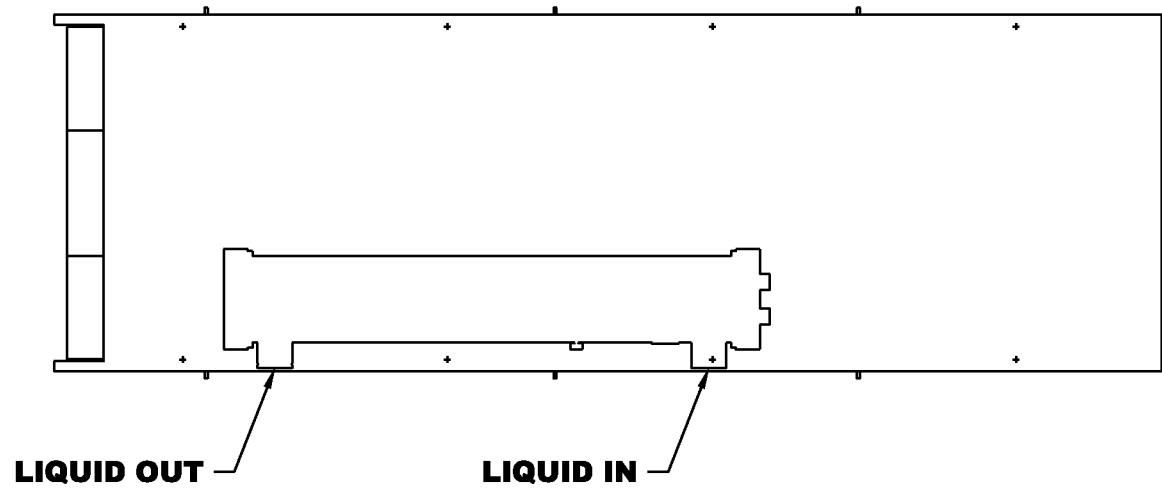
AIR-COOLED SCREW LIQUID CHILLER: 130-140 TR



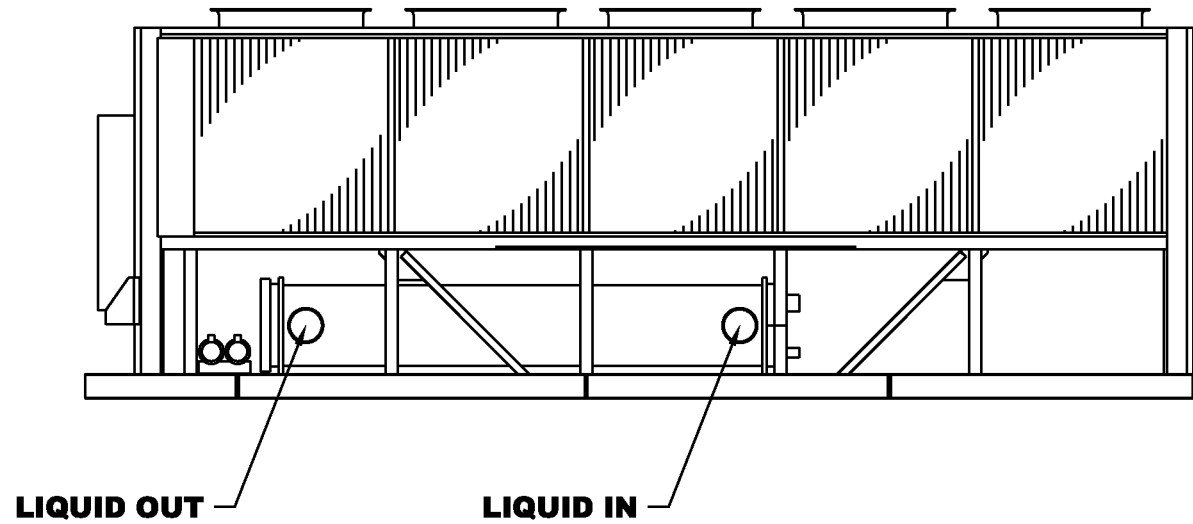
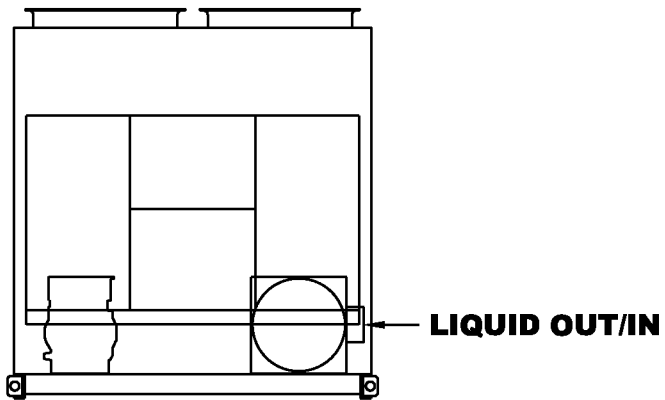


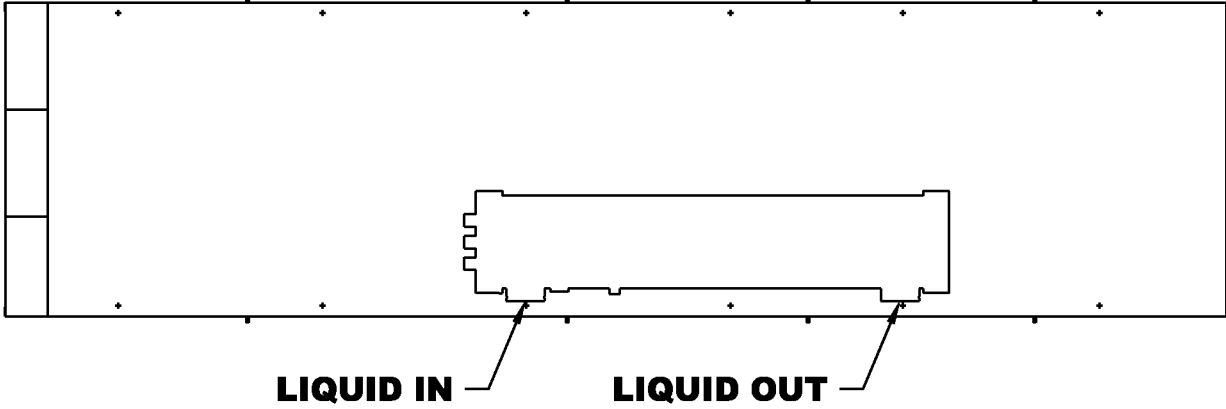
AIR-COOLED SCREW LIQUID CHILLER: 150-180 TR



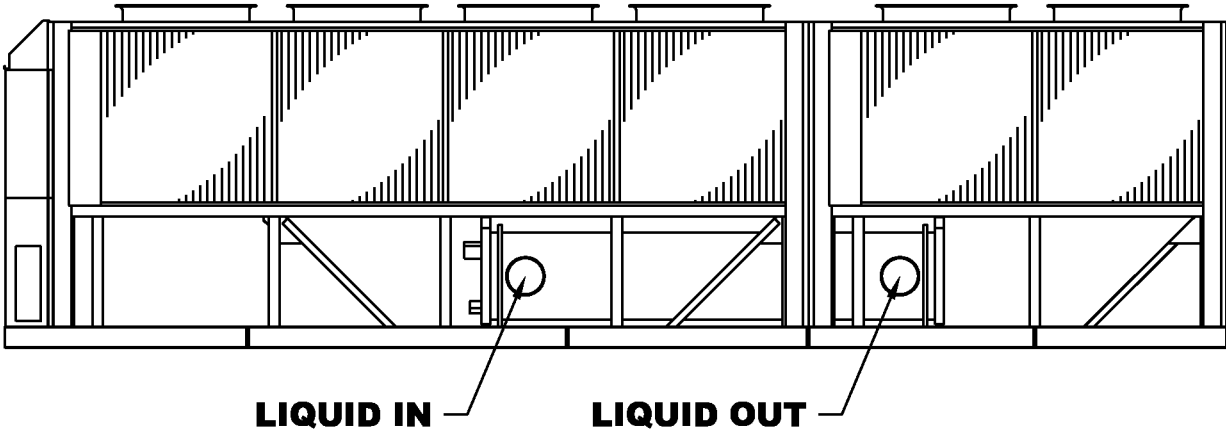
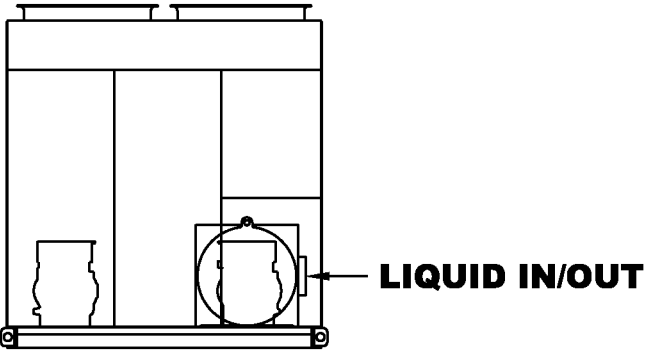


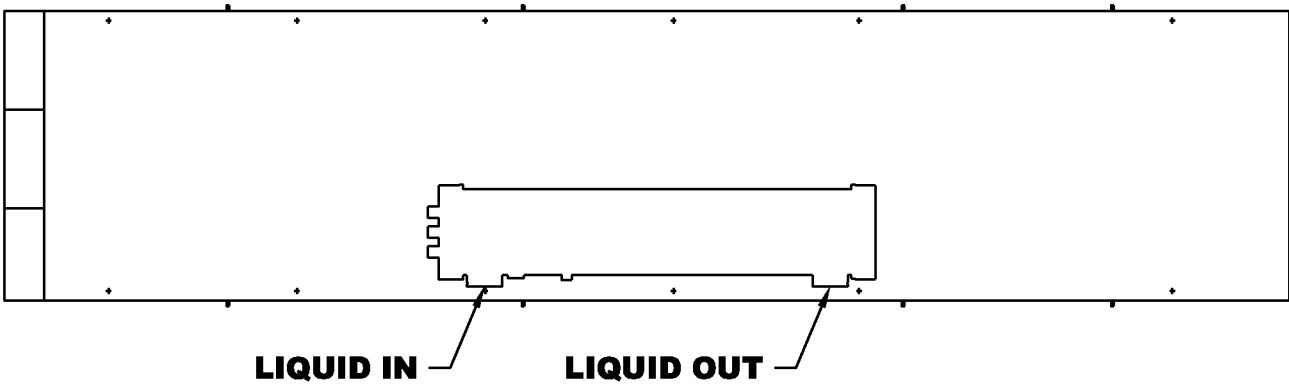
AIR-COOLED SCREW LIQUID CHILLER: 200-230 TR



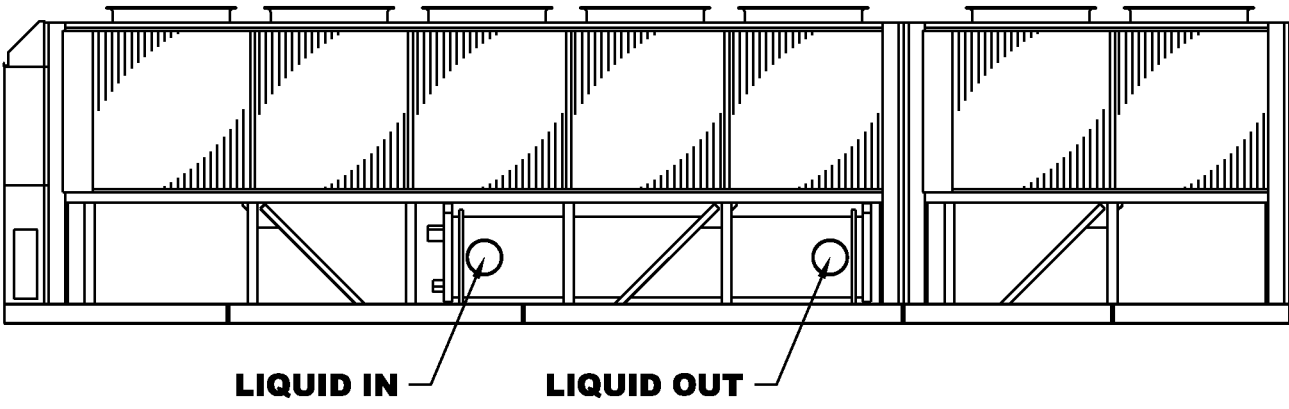
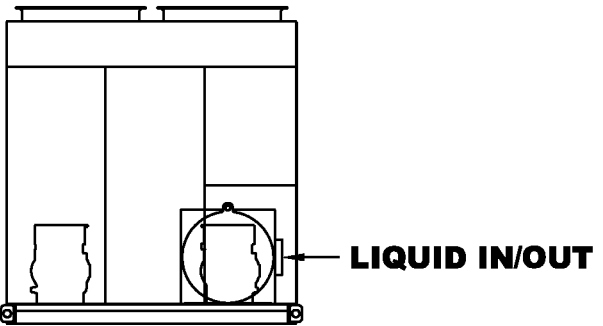


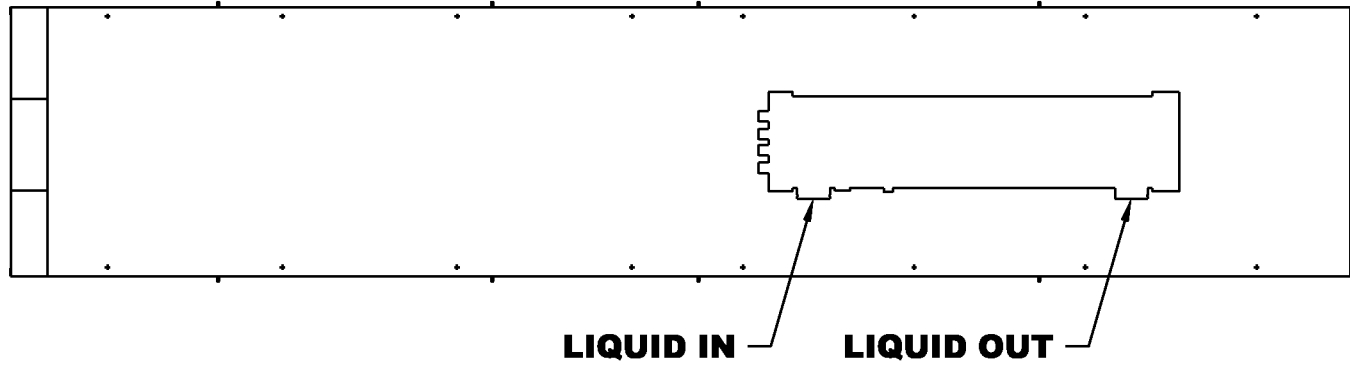
AIR-COOLED SCREW LIQUID CHILLER: 250-270 TR



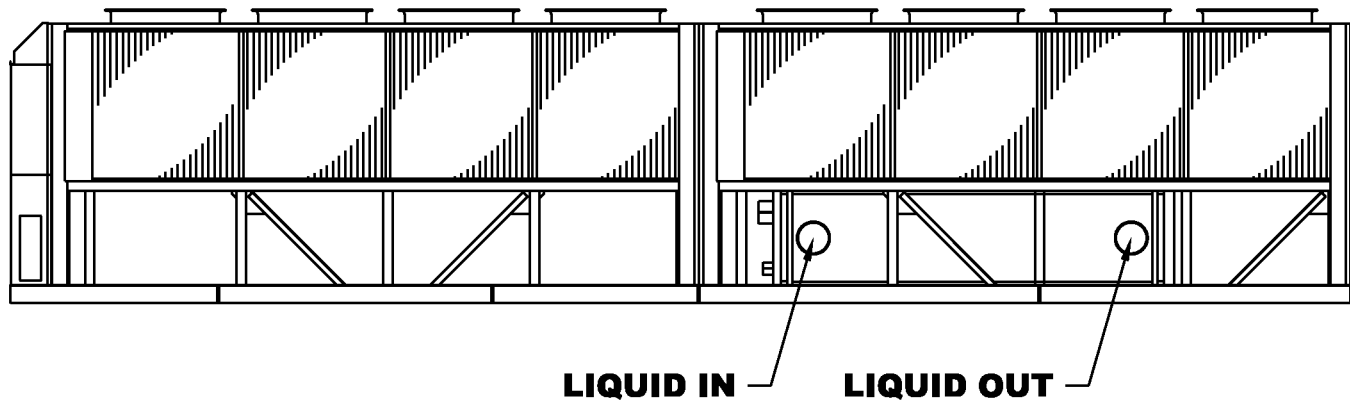
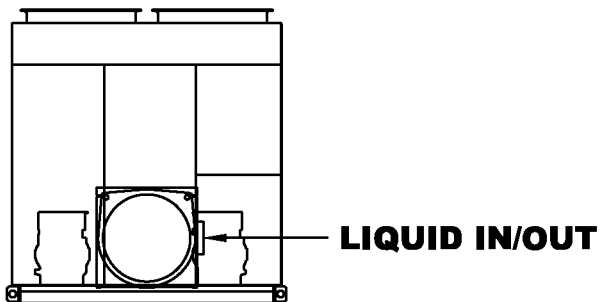


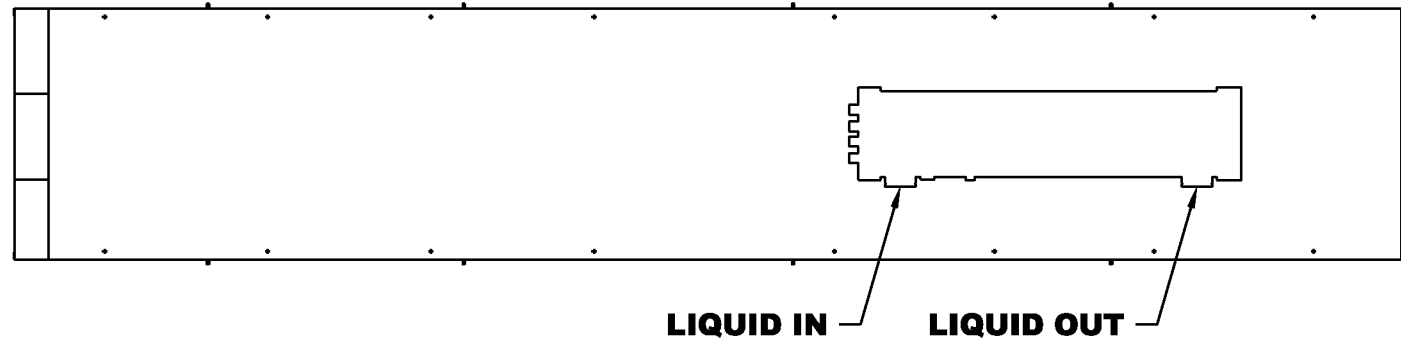
AIR-COOLED SCREW LIQUID CHILLER: 300-330 TR





AIR-COOLED SCREW LIQUID CHILLER: 360 TR





AIR-COOLED SCREW LIQUID CHILLER: 400-440 TR

